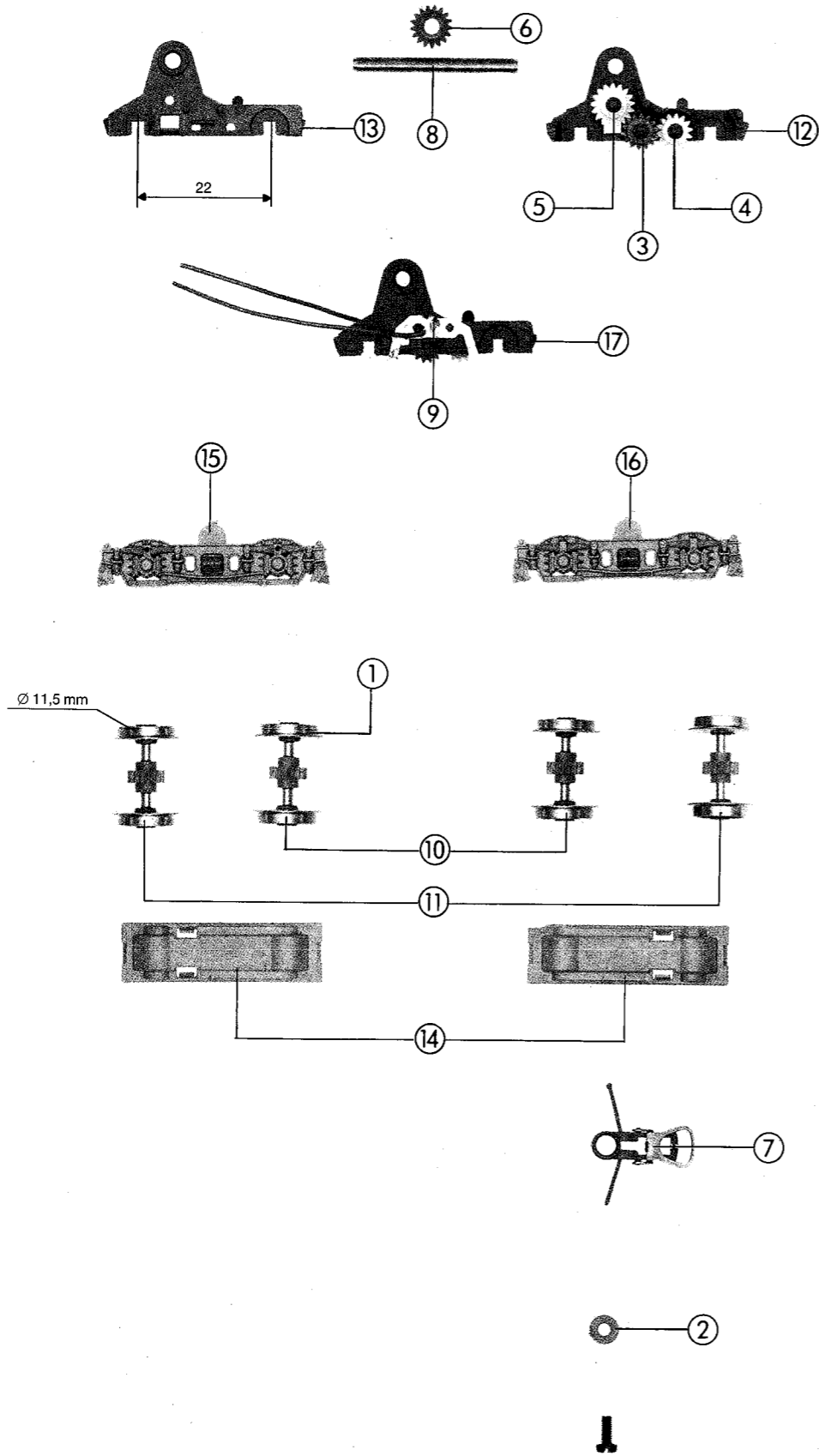
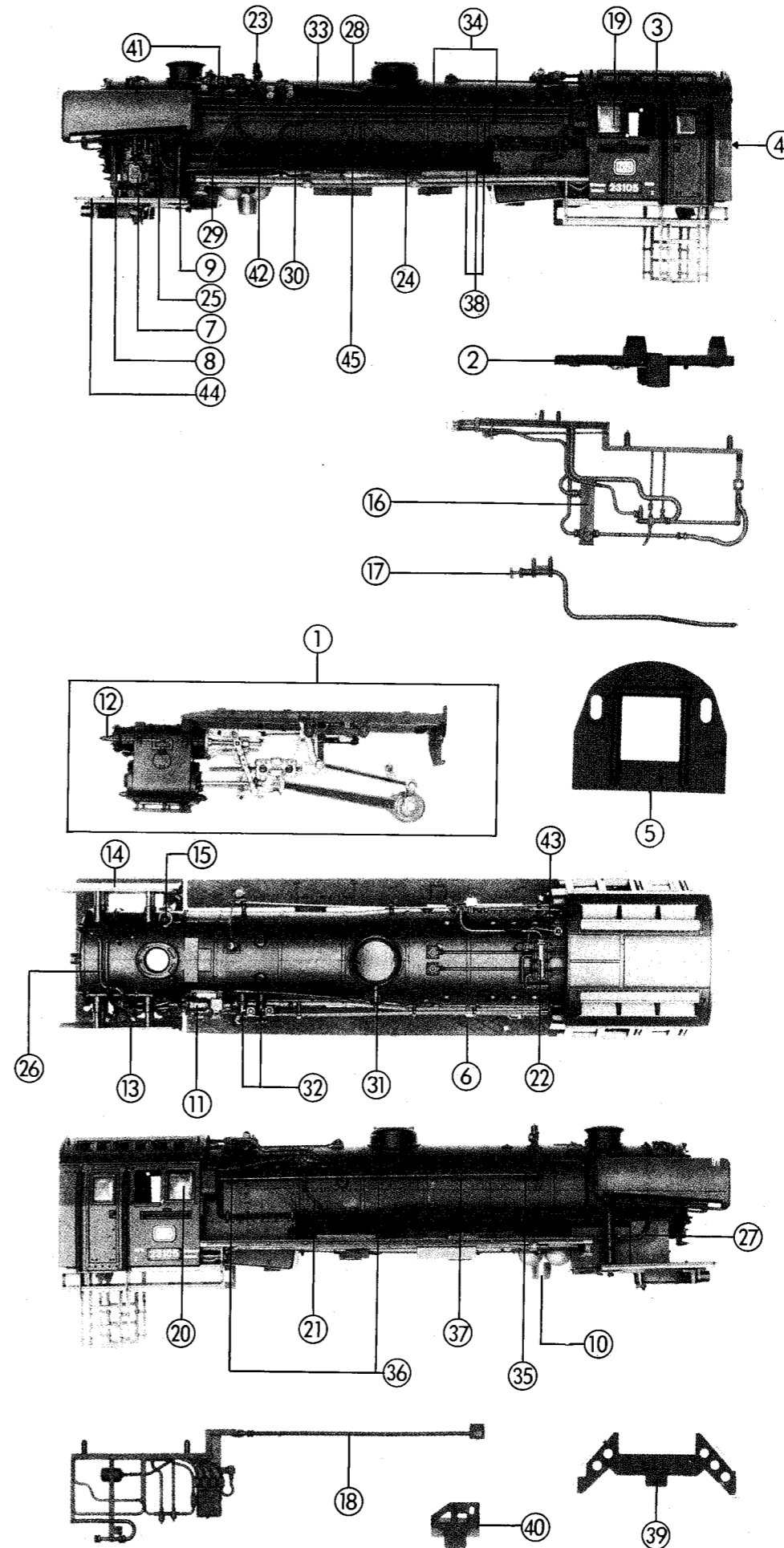


Stück-Nr.	Art.-Nr. neu	Art.-Nr. alt	Text	Preisgruppe
1	85802	4589S	Haftreifen Traction tyre	99
2	86109	4120S-143	Distanzscheibe Distanc disc	2
3	86403	4151B-002	Zahnrad z 14 r; m 0,4 Gear F 14 r; m 0,4	2
4	86404	4151B-003	Zahnrad z 14 l; m 0,4 Gear T 14 l; m 0,4	2
5	86406	4151B-005	Zahnrad z 17 l; m 0,4 Gear T 17 l; m 0,4	2
6	86444	4112S-153	Zahnrad z 17 r; m 0,4 Gear T 17 r; m 0,4	2
7	89203	4112S-A48	Standardkupplung Standard coupling	5
8	89717	4120S-122	Zahnradachse Ø 2,6x28 Gear axle Ø 2,6x28	3
9	89886	—	Radkontakt Wheel current contact strip	3
10	90437	—	Radsatz mit Haftreifen Wheelsset with traction tyre	16
11	90438	—	Radsatz Wheelsset	16
12	92304	4120S-110	Getriebekasten Gearcase	12
13	92305	4120S-111	Getriebedeckel Gear cover	12
14	92306	4120S-112	Getriebeboden Gear bottom	10
15	92310	4120S-315	Tenderblende, rechts Tender frame, right	12
16	92311	4120S-316	Tenderblende, links Tender frame, left	12
17	92321	4120S-A15	Getriebe komplett Gears assembly	37
18	92323	4120S-A20	Zurüstbeutel-Steckteile Bag with push in parts	24
19	92324	4120S-A21	Zurüstbeutel-Kupplungen Bag with couplings	20

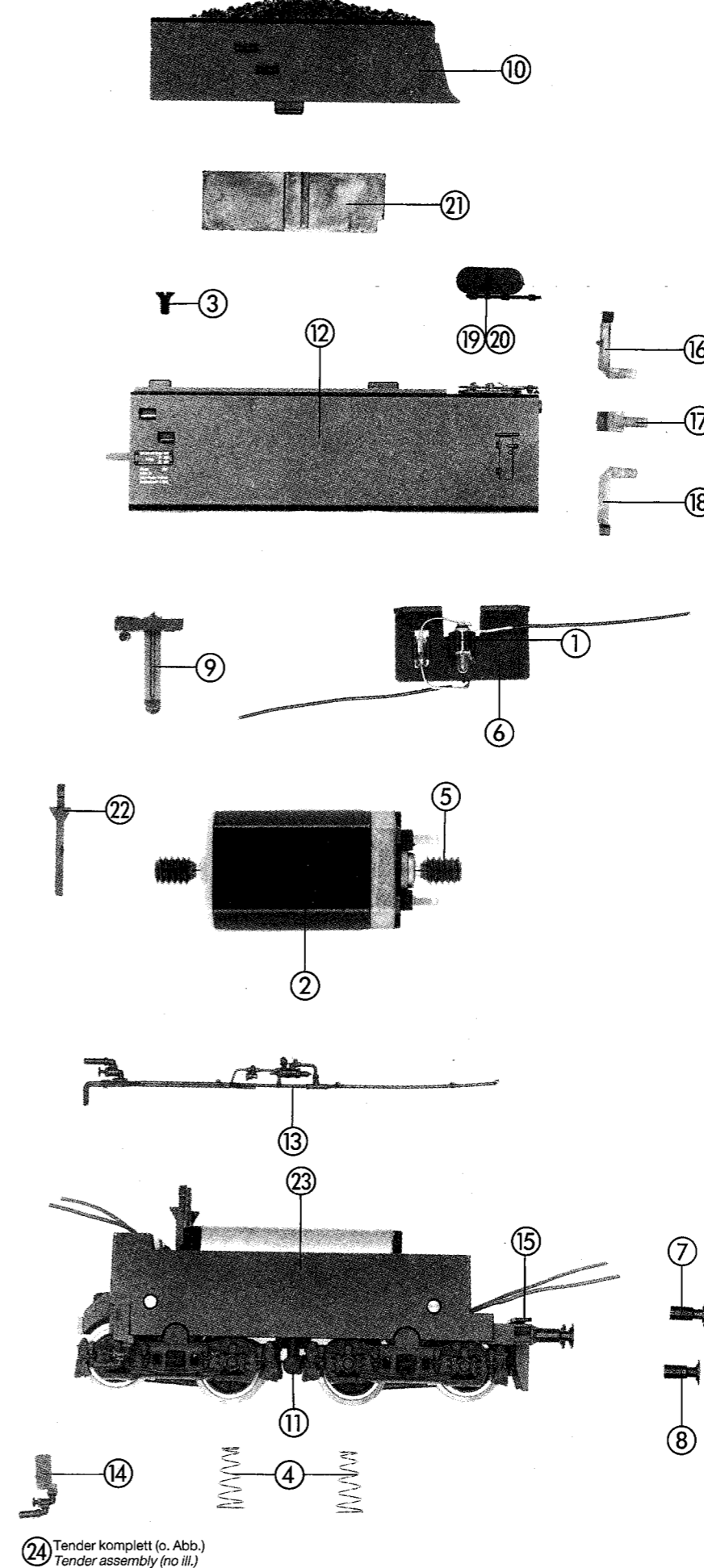
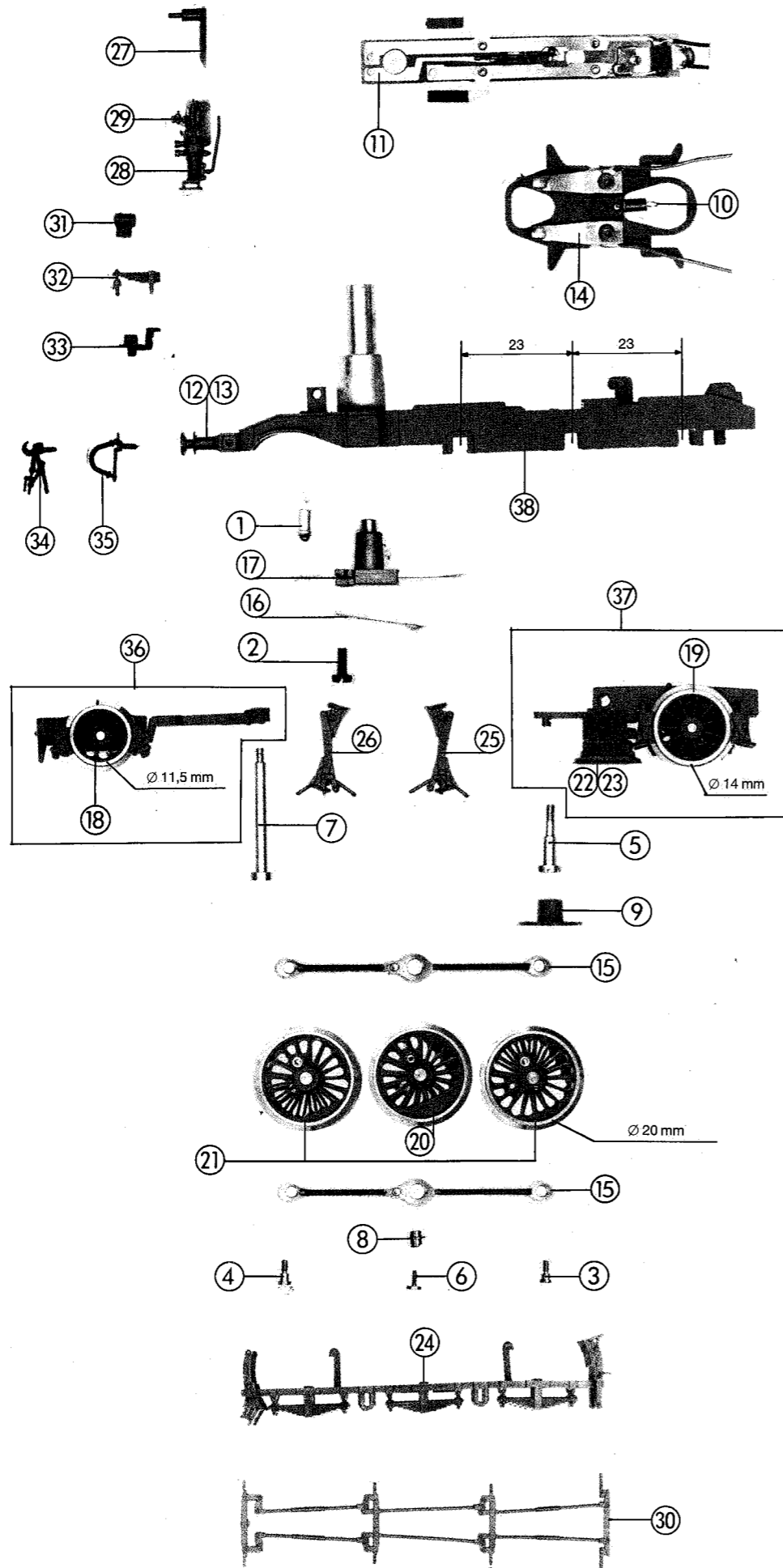


18 Zurüstbeutel Steckteile (o. Abb.)
Bag with push in parts (no. ill.)
19 Zurüstbeutel Kupplungen (o. Abb.)
Bag with couplings (no. ill.)



Stück-Nr.	Art.-Nr. neu	Art.-Nr. alt	Text	Preisgruppe
1	89477	4120S-A19	Steuerung komplett Steering assembly	73
2	89844	4120S-A26	Kontaktplatte komplett Contact plate assembly	23
3	92245	4120S-001	Kabine Cab	39
4	92246	4120S-002	Inneneinrichtung Interior detail	18
5	92247	4120S-003	Stirnwand Front plate	6
6	92250	4120S-010	Umlaufsteg Running board	30
7	92259	4120S-038	Vorwärmepumpe Preheating pump	3
8	92260	4120S-039	Pumpenteil 1 Pump-part 1	2
9	92261	4120S-041	Einströmrrohr Inlet tube	3
10	92262	4120S-042	Luftdruckbehälter Compressed air tank	3
11	92263	4120S-044	Generator Generator	3
12	92264	4120S-046	Schiebereinsatz Slide insert	2
13	92265	4120S-047	Windleitblech links Smoke deflector left	10
14	92266	4120S-048	Windleitblech rechts Smoke deflector right	10
15	92269	4120S-051	Lautwerk Bell	2
16	92270	4120S-053	Steckteil, links Push in part, left	3
17	92271	4120S-054	Rohrleitung Pipe	3
18	92272	4120S-055	Steckteil rechts Push in part, right	3
19	92280	4120S-071	Fenster, links Glazing, left	3
20	92281	4120S-072	Fenster, rechts Glazing, right	3
21	92285	4120S-079	Steckteil 1 Push in part 1	3
22	92286	4120S-080	Steckteil 2 Push in part 2	3
23	92287	4120S-082	Steckteil 4 Push in part 4	3
24	92288	4120S-083	Steckteil 5 Push in part 5	3
25	92289	4120S-084	Steckteil 6 Push in part 6	3
26	92290	4120S-085	Steckteil 7 Push in part 7	3
27	92291	4120S-086	Steckteil 8 Push in part 8	3
28	92292	4120S-087	Steckteil 9 Push in part 9	3
29	92293	4120S-088	Steckteil 10 Push in part 10	3
30	92294	4120S-089	Steckteil 11 Push in part 11	3
31	92295	4120S-090	Domventil Dome valve	3
32	92296	4120S-091	Kesselventil Boiler valve	3
33	92297	4120S-092	Schaltstangenlager Switch rod bearing	3
34	92298	4120S-093	Schaltstangenlager Switch rod bearing	3
35	92299	4120S-094	Schaltstangenlager Switch rod bearing	3
36	92300	4120S-095	Schaltstangenlager Switch rod bearing	3
37	92303	4120S-126	Schaltachse, rechts Switch rod, right	3
38	92307	4120S-127	Schaltachse, links Switch rod, left	3
39	92312	4120S-326	Stützblech Supporting plate	6
40	92313	4120S-327	Verbindungsblech Plate	4
41	92314	4120S-328	Generatorleitung 1 Generator tube 1	3
42	92315	4120S-329	Generatorleitung 2 Generator tube 2	3
43	92316	4120S-330	Rohrsteckteil Pipe push in part	3
44	92322	4120S-A16	Rauchkammerplatte Smoke chamber plate	12
45	94022	4120S-A27	Kessel komplett Boiler assembly	73

Stück-Nr.	Art.-Nr. neu	Art.-Nr. alt	Text	Preis-gruppe
1	10021	4572S	Glühlampe Light bulb	99
2	85671	81000B-251	Zylinderkopfschraube M 2x5 Cheese headed screw M 2x5	2
3	85705	4120S-124	Ansatzschraube M 1,4 kurz Screw M 1,4 short	4
4	85706	4120S-123	Ansatzschraube M 1,4 lang Screw M 1,4 long	4
5	85711	4120S-128	Laufgestellschraube Tail bogie screw	3
6	85722	4120S-125	Ansatzschraube M 1 Screw M 1	2
7	85809	4115S-122	Kesselschraube Boiler screw	4
8	86100	4115S-120	Distanzhülse Distance tube	5
9	86110	4120S-319	Distanzscheibe Distance washer	2
10	86216	4120S-135	Feder Spring	4
11	87666	4120S-A28	Lok-Platine Printed circuit for loco	38
12	88556	4120S-400	Puffer flach Buffer flat	4
13	88557	4120S-401	Puffer gewölbt Buffer vaulted	4
14	89222	4120S-A29	Kupplung Lok-Tender Coupling loco-tender	27
15	89514	4120S-100	Kuppelstange Connecting rod	9
16	89841	4120S-300	Kontakt Contact	3
17	89842	4120S-A08	Seuthe Kontakt Seuthe contact	29
18	90433	—	Vorlaufadsatz Pilot wheelset	14
19	90434	—	Nachlaufadsatz Tail wheelset	14
20	90435	—	Radsatz Wheelset	20
21	90436	—	Radsatz Wheelset	20
22	92251	4120S-014	Indusi, links Indusi, left	2
23	92252	4120S-015	Indusi, rechts Indusi, right	2
24	92253	4120S-017	Deckel Cover	20
25	92254	4120S-018	Bremsbacken, links Brake shoes, left	3
26	92255	4120S-019	Bremsbacken, rechts Brake shoes, right	3
27	92256	4120S-027	Pumpenhalteteil Pump holder	2
28	92267	4120S-049	Luftdruckpumpe Air pump	3
29	92268	4120S-050	Pumpensteckteil Pump-part	3
30	92273	4120S-056	Bremsgestänge Brake rods	8
31	92275	4120S-058	Behälter Tank	3
32	92276	4120S-059	Federpaket Springing	3
33	92279	4120S-063	Pufferbohlenplatte Loco buffer block plate	6
34	92317	4120S-331	Lok-Haken Loco hook	3
35	92318	4120S-332	Bremsschlauch Brake pipe	2
36	95560	—	Vorlaufgestell komplett Pilot frame assembly	27
37	95561	—	Nachlaufgestell komplett Tail bogie assembly	29
38	93610	4120S-A07	Lok-Unterteil Loco-underbody	42



Stück-Nr.	Art.-Nr. neu	Art.-Nr. alt	Text	Preis-gruppe
1	10021	4572S	Glühlampe Light bulb	99
2	85009	913S	Motor ohne Schnecken Motor without worms	99
3	85714	81011B-156	Senkkopfschraube M 2x4 Countersunk screw M 2x4	2
4	86271	4120S-500	Druckfeder Compression spring	3
5	86701	4151B-001	Schnecke Worm	5
6	87665	4120S-A23	Lampenträger Lamp bracketed	30
7	88556	4120S-400	Puffer flach Buffer flat	4
8	88557	4120S-401	Puffer gewölbt Buffer vaulted	4
9	89843	4120S-A22	Motorkontaktplatte Motor contact plate	27
10	92248	4120S-008	Kohleneinsatz Imitated coal	6
11	92257	4120S-028	Tenderbehälter Tender tank	3
12	92258	4120S-030	Tenderoberteil Tender upper part	41
13	92274	4120S-057	Tenderleitung Tender pipe	3
14	92277	4120S-061	Tenderabfluß Tender drain	3
15	92278	4120S-062	Pufferbohlenplatte Buffer block plate	6
16	92282	4120S-076	Leuchstab links Light transmissions bar left	4
17	92283	4120S-077	Leuchstab mitte Light transmissions bar middle	4
18	92284	4120S-078	Leuchstab rechts Light transmissions bar right	4
19	92301	4120S-098	Tenderdeckel links Tendercover left	4
20	92302	4120S-099	Tenderdeckel rechts Tendercover right	4
21	92308	4120S-139	Kohlenkastengewicht Coalcase wight	10
22	92309	4120S-140	Kontaktträger Contact carrier	6
23	94020	4120S-A24	Tender-Unterteil ohne Motor Tender base without motor	74
24	94021	4120S-A25	Tender komplett Tender assembly	83

24 Tender komplett (o. Abb.)
Tender assembly (no ill.)